

# 产品选型手册

Product selection guide



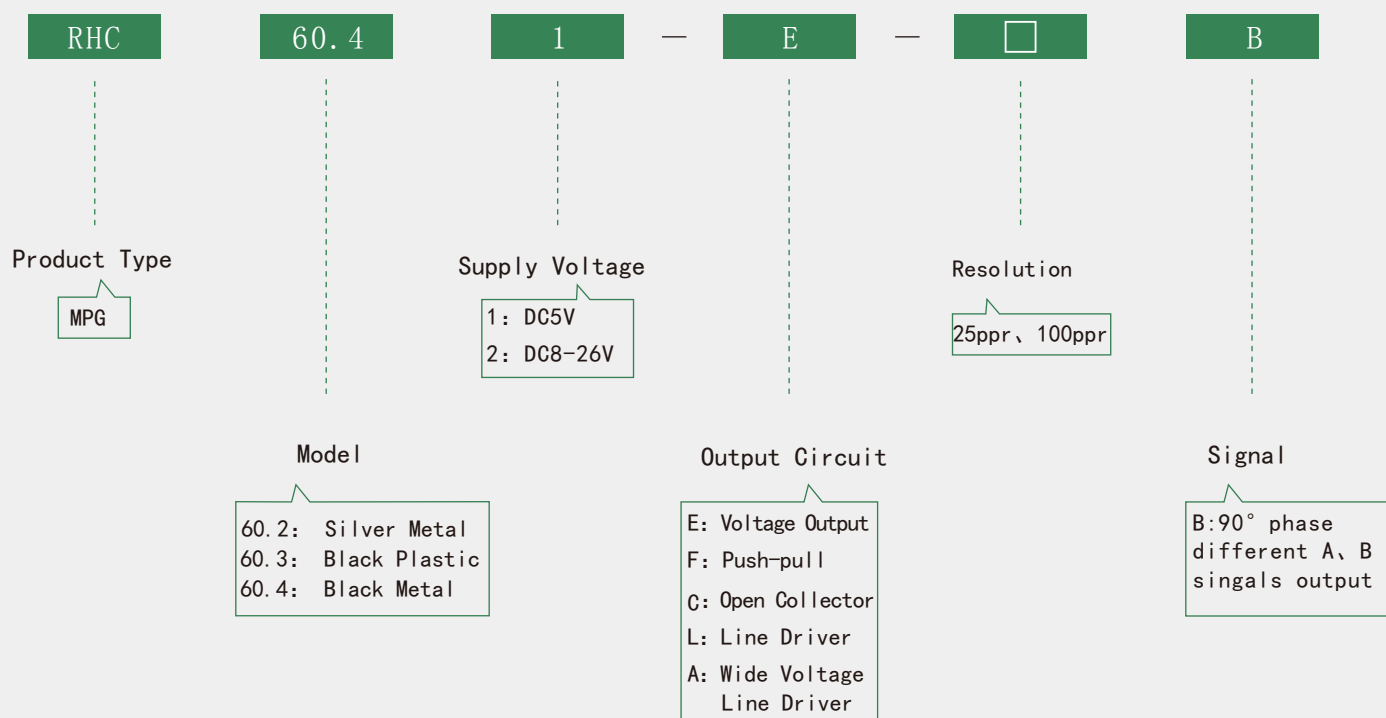
RHC60.4 Series

# Applications & Features



All-metal housing design, durable, high reliability.  
 Metal gear, with good rotating hand feeling.  
 Line driver output ensures strong anti-jamming capability.  
 Used For CNC machine origin correction.  
 Silver metal housing optional.

## Part Number

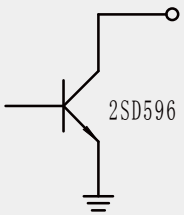
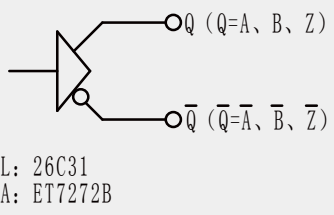
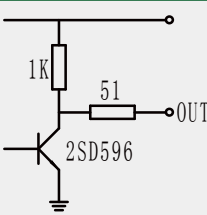
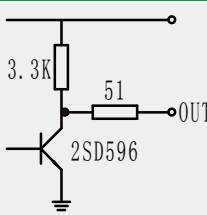
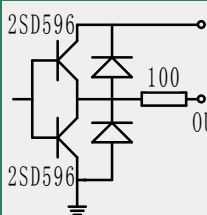
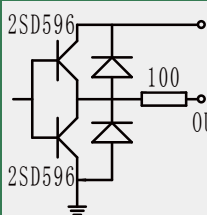


## Electrical Specifications

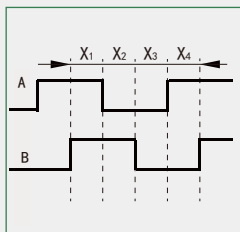
Output Circuit	Supply Voltage DC (V)	Current Requirement (mA)	Output Voltage (V)		Rise Time (ns)	Fall Time (ns)	Frequency Response (kHz)
			V <sub>H</sub>	V <sub>L</sub>			
E (Voltage)	5±0.25	≤80	>3.5	≤0.7	≤500	≤100	0-100
	8-26	≤120	>VCC-2.5	≤0.7	≤500	≤100	0-100
F (Push-pull)	5±0.25	≤80	>3.5	≤0.7	≤500	≤100	0-100
	8-26	≤120	>VCC-2.5	≤0.7	≤500	≤100	0-100

C (Open Collector)	$5 \pm 0.25$	$\leq 60$	$> V_{CC} - 2.5$	$\leq 0.7$	$\leq 500$	$\leq 100$	0-100
	8-26						
L (Line Driver)	$5 \pm 0.25$	$\leq 100$	$> 3.5$	$\leq 0.7$	$\leq 200$	$\leq 200$	0-100
A (Wide Voltage Line Driver)	8-26	$\leq 60$	$> V_{CC} - 2.5$	$\leq 0.7$	$\leq 500$	$\leq 100$	0-100

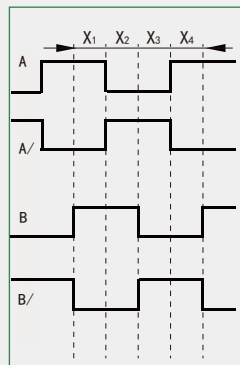
## Output Circuit

E (Voltage)		F (Push-pull)		C (Open Collector)	L, A (Line Driver)
5V	8-26V	5V	8-26V		 L: 26C31 A: ET7272B
					

## Output Waveform



Waveform for C, E, F output

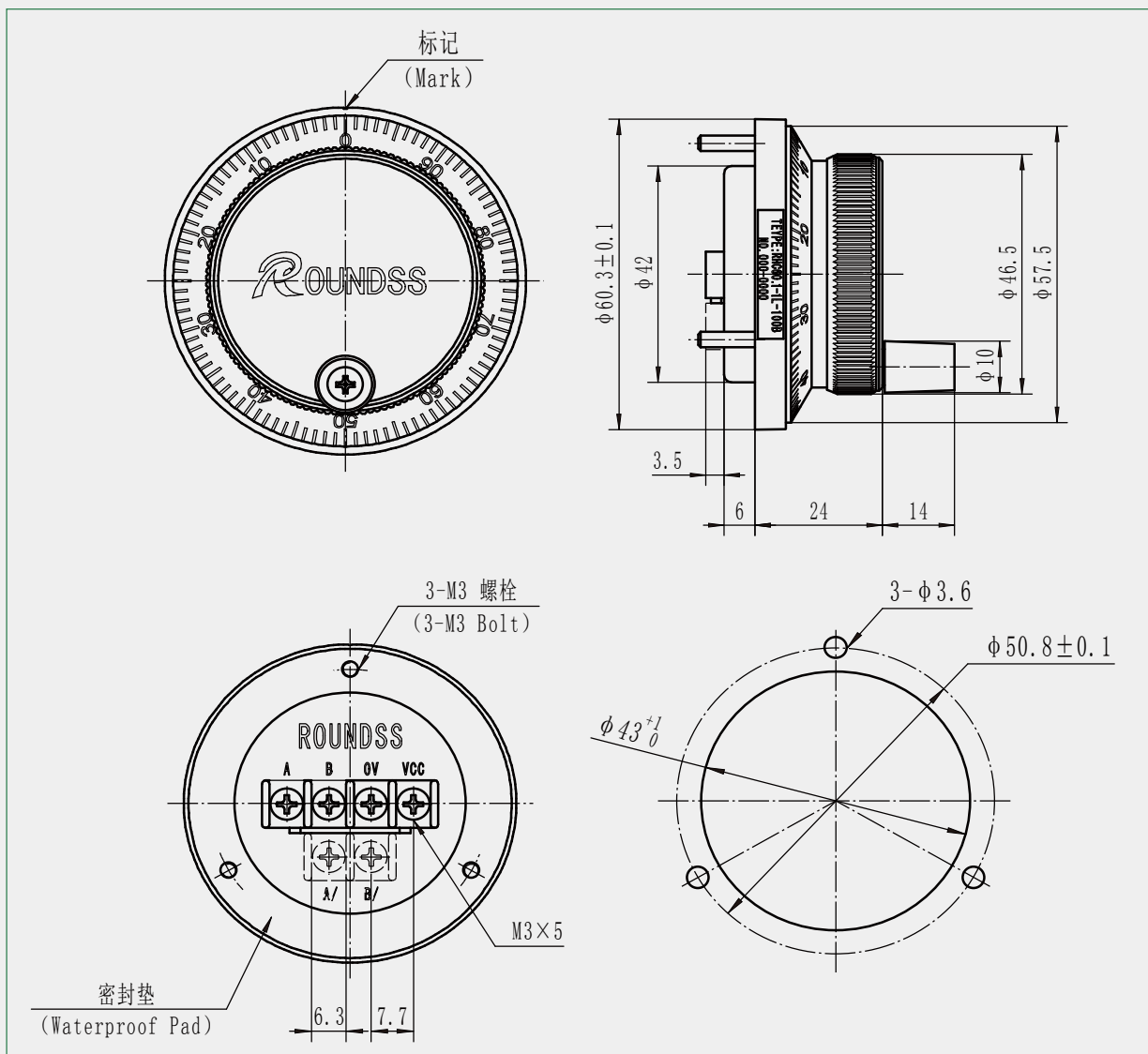


Waveform for L, A output

- Wave Ratio :  $X_1 + X_2 = 0.5T \pm 0.1T$   
 $X_2 + X_3 = 0.5T \pm 0.1T$
- Phase Different :  $X_n \geq 0.125T$  ( $n=1, 2, 3, 4$ )
- Absolute Angle Error :  $\leq 0.2T$
- Cycle Error :  $\leq 0.05T$
- $T = 360^\circ / N$  ( $N = \text{lines count per revolution}$ )

## Environmental Specifications

Max. Speed	600r/min
Operating Temp.	$-10 \sim +60^\circ\text{C}$
Store Temp.	$-20 \sim +70^\circ\text{C}$
Size	60mm
Weight	Approx. 0.135kg



China Rongde Optics Co., Ltd

[www.roundssencoder.com](http://www.roundssencoder.com)

